



AVIA PROPELLER Ltd.

Beranových 666, 199 00 Praha - Letňany, Czech Republic

INFORMATION BULLETIN

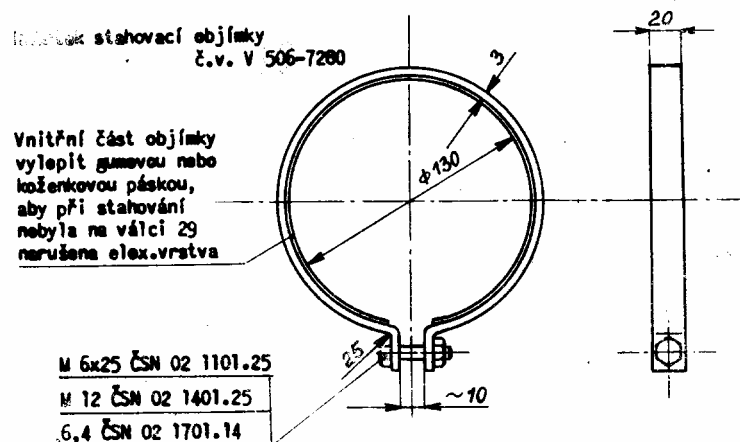
No.: V 506-8-I/68

Concerns: Flooding of V 506 prop servomechanism in flight operation in the USSR.

Reason: Downgrade of V 506 prop function as owing to setting of carbon sediments from engine lube oil.

Measures: If the prop function signified a downgrade of function during operation it is necessary to carry out flooding of servomechanism in this way:

- 1) Dismantle the prop from aeroplane according to "Technical Description and Service Instruction of V 506 Propeller", see chapter "Dismantling the prop". Leave blades in prop.
- 2) Take off the Seal and disengage Lock Bolt (Ref. 27 on Fig. 2). Put Wrench No. 1. into cut in Bolt of Cylinder (Ref. 26). Thread on this wrench on backstop tightening sleeve P/N V 506-7280 and tighten it well. Dismantle the Outer Ring (Ref. 29) with Tube (Ref. 2) which together forges compact assembly by the loosening of Bolt of Cylinder (Ref. 26).
- 3) Clean the servomechanism of the prop. Fill clean flush oil warmed on 80°C into prop. After sufficient warming up through prop rearrange blades by hand from one position into the second one for several times. That is for reach of vacation and erosion of sediments in blade bearing, which shall substantial influence over downgrade function of prop. This act is necessary to repeat till will reached real vacation of blade bearing. Then discharge this oil with pertinent slack sediments from prop and flush prop once more by oil.



- 4) Carry out backward prop assembly after this prop and servomechanism cleaning. Clean up parts and rubber packing and put on Outer Cylinder (Ref. 29) into prop on Pin (Ref. 28), that is identified position of servomechanism. Put on Bolt (Ref. 26) and tighten by torque moment 20-25 kgm and lock it by Bolt (Ref. 27). Surplus assembly of prop carry out according to "Technical Description and Service Instruction of V 506 Propeller", see chapter "Prop Assembly".
- 5) Inscribe servomechanism and prop cleaning in Propeller Log Book.

Remark: This Information Bulletin is issued only for prop in flight operation on territory USSR.

Notice: There mustn't be used petrol for prop cleaning as of exist of swelling rubber packing. Check rubber packing before installation if isn't damaged. Tightening Socket P/N V 506-7280 user obtain per order from manufacturer if need it can be make yourself according to picture.
If will not reached prop function improvement thereby this measures there is necessity to corrections executed by service worker or is necessity to send prop into manufacturer to corrections.

Date: November 4, 1968

M. Adamec m. p.

.....
Manufacturer Representative

Ing. B. Homola m. p.

.....
Customer Representative